

WC102622

BURWELL WHITE STEEL TRIPLE DOOR TRI-VIEW CABINET



MATERIAL

White Steel
Mirrored Glass Doors

FINISH / COLOUR

White Powder Coated.

FREQUENTLY USED APPLICATIONS

Commercial Washrooms
Hotels
Domestic Dwellings

FEATURES

- White steel cabinet with bevelled mirrored doors.
- Optional door pin handles.
- Two adjustable steel shelves.
- 110 degree sprung door hinges.
- Supplied fully assembled for ease of installation.
- Easy to install Hang 'n' Lock system.
- All fixtures and fittings included.

PERFORMANCE STANDARDS

Meets Performance Requirements Of Service Condition 2.

BS EN ISO 9221:2017 - Corrosion Resistant (NSS 48hr Salt Spray, Min. Grade9).

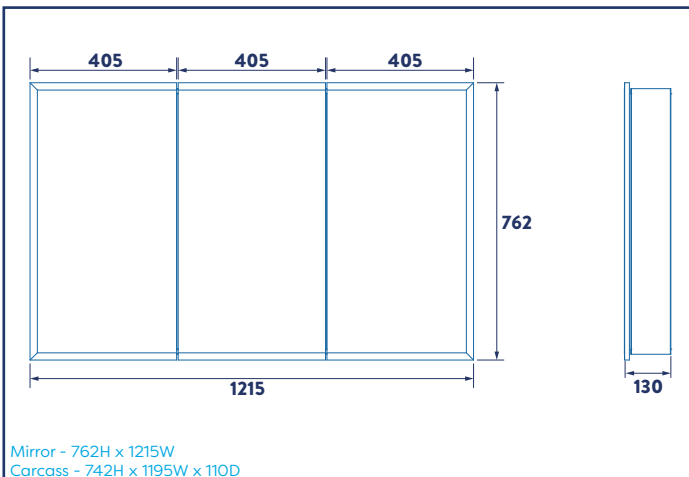
CARE AND MAINTENANCE

Clean surfaces with a damp cloth and wipe dry using a soft cloth.

Do not use chemical or abrasive cleaners as these may damage the surface finish.

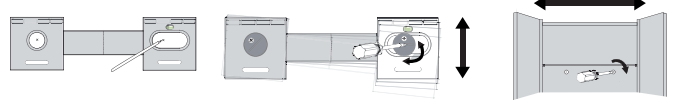
GUARANTEE

Consumer Statutory Rights Apply



HANG 'N' LOCK

Easy Installation Bracket.
Fully Adjustable.
One Person Installation.



Printed material, designs and packaging are protected by copyright and design rights.